

01



/ kg/ . m kg/ . m kg/ . m
c



mm



IP
mm* mm



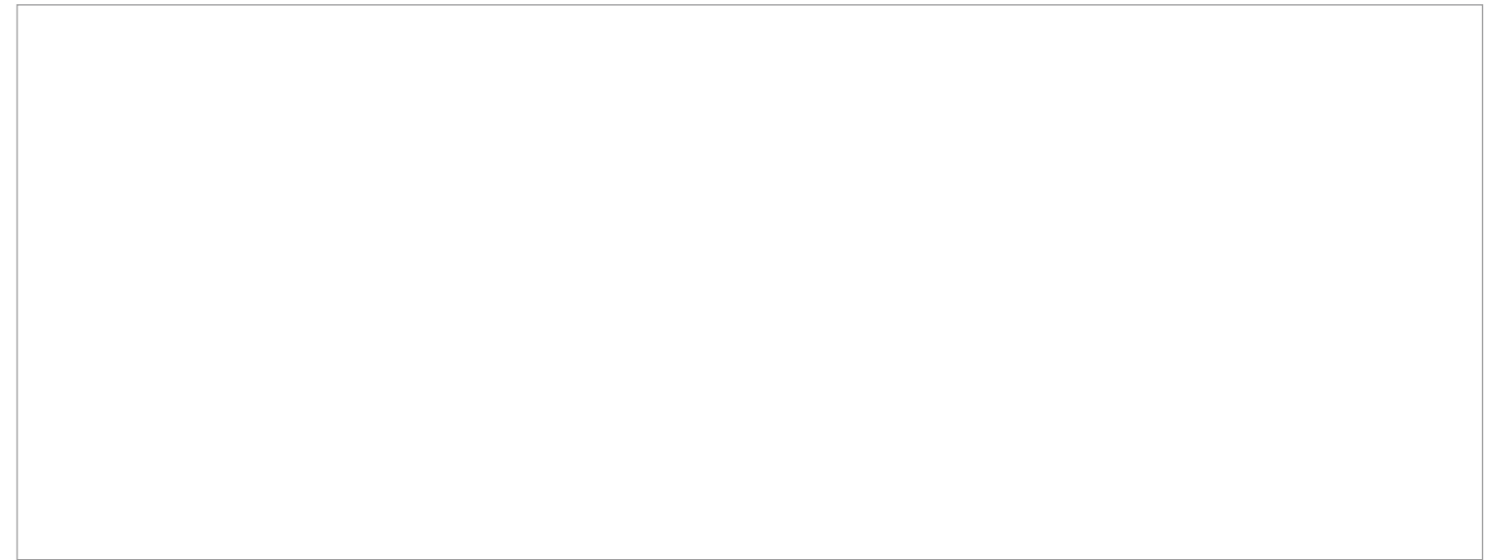
02

/SPECIFICATIONS

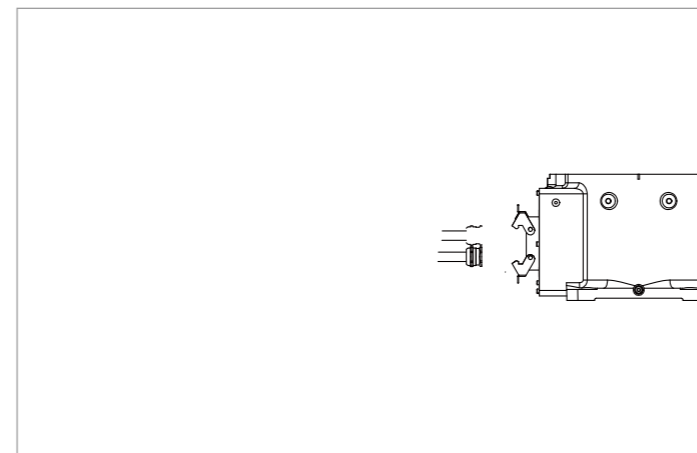
	ER -
	kg
	± . mm
	kg
	mm
	IP / IP
	IP / IP
	AC

	J	N m
	J	N m
	J	N m
	J	. kg m ²
	J	. kg m ²
	J	. kg m ²
	J	°/sec
	J	°/sec
	J	°/sec
	J	°/sec
	J	°/sec
	J	°/sec
	J	± °
	J	+ °/- °
	J	+ °/- °
	J	± °
	J	± °
	J	± °

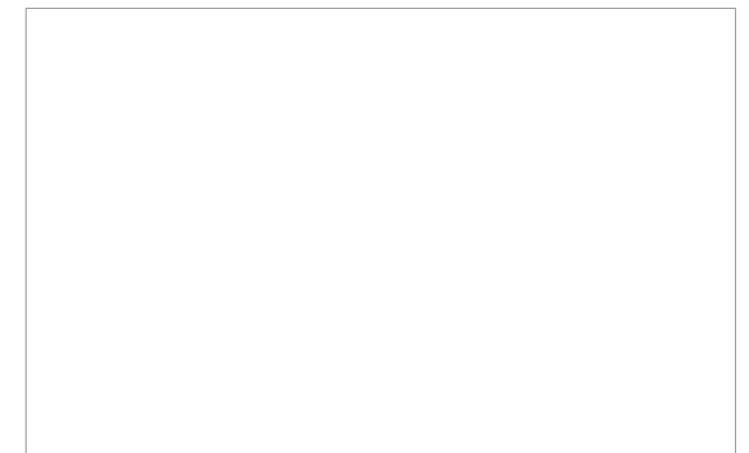
/OPERATING SPACE

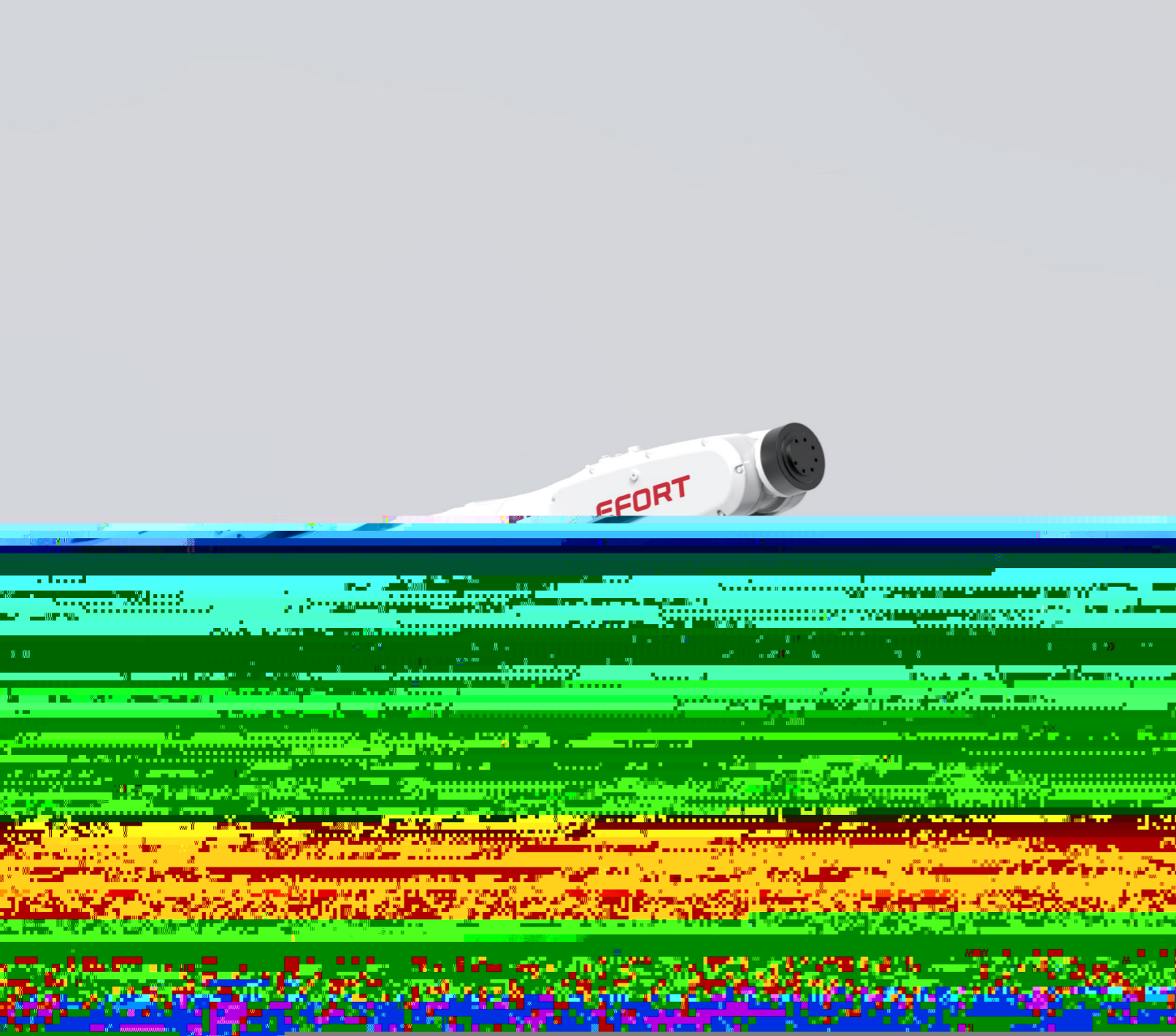


/BASE MOUNTING SIZE



/END FLANGE MOUNTING SIZE



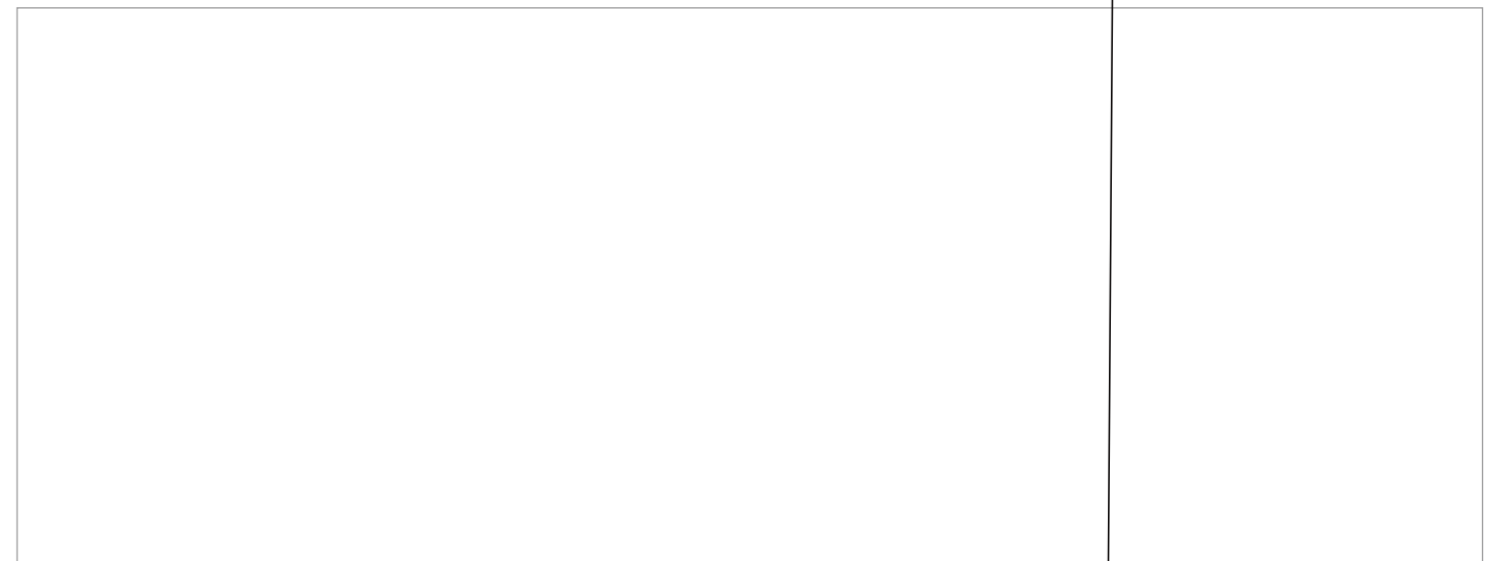


/SPECIFICATIONS

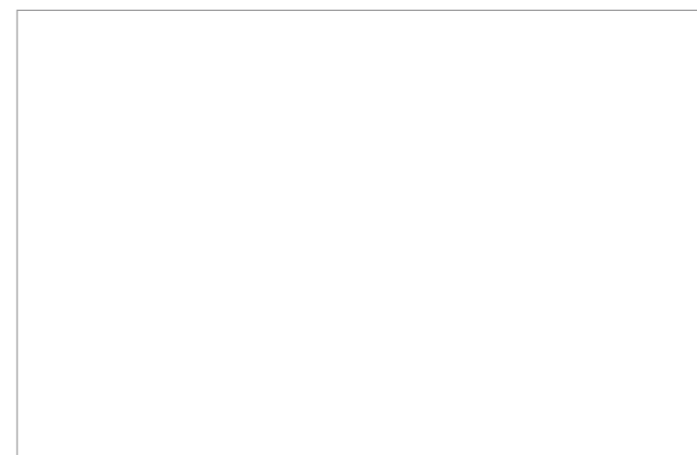
	ER -
	kg
	± . mm
	kg
	mm
	IP / IP
	IP / IP
	AC

J	N m
J	N m
J	N m
J	kg m ²
J	kg m ²
J	kg m ²
J	°/sec
J	°/sec
J	°/sec
J	°/sec
J	°/sec
J	°/sec
J	± °
J	+ °/- °
J	+ °/- °
J	± °
J	± °
J	± °

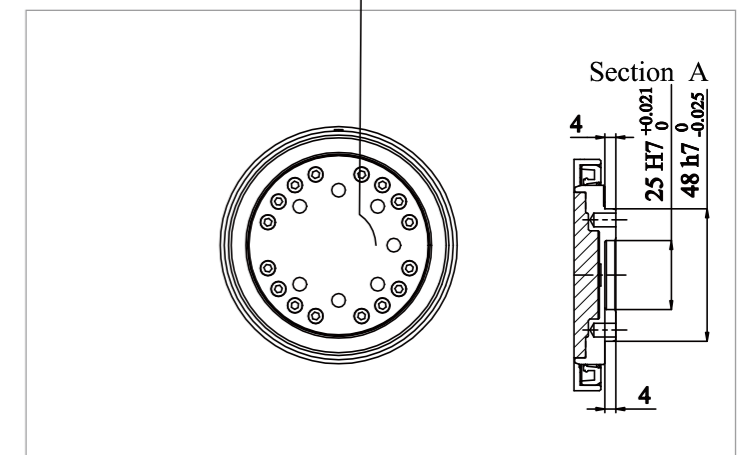
/OPERATING SPACE

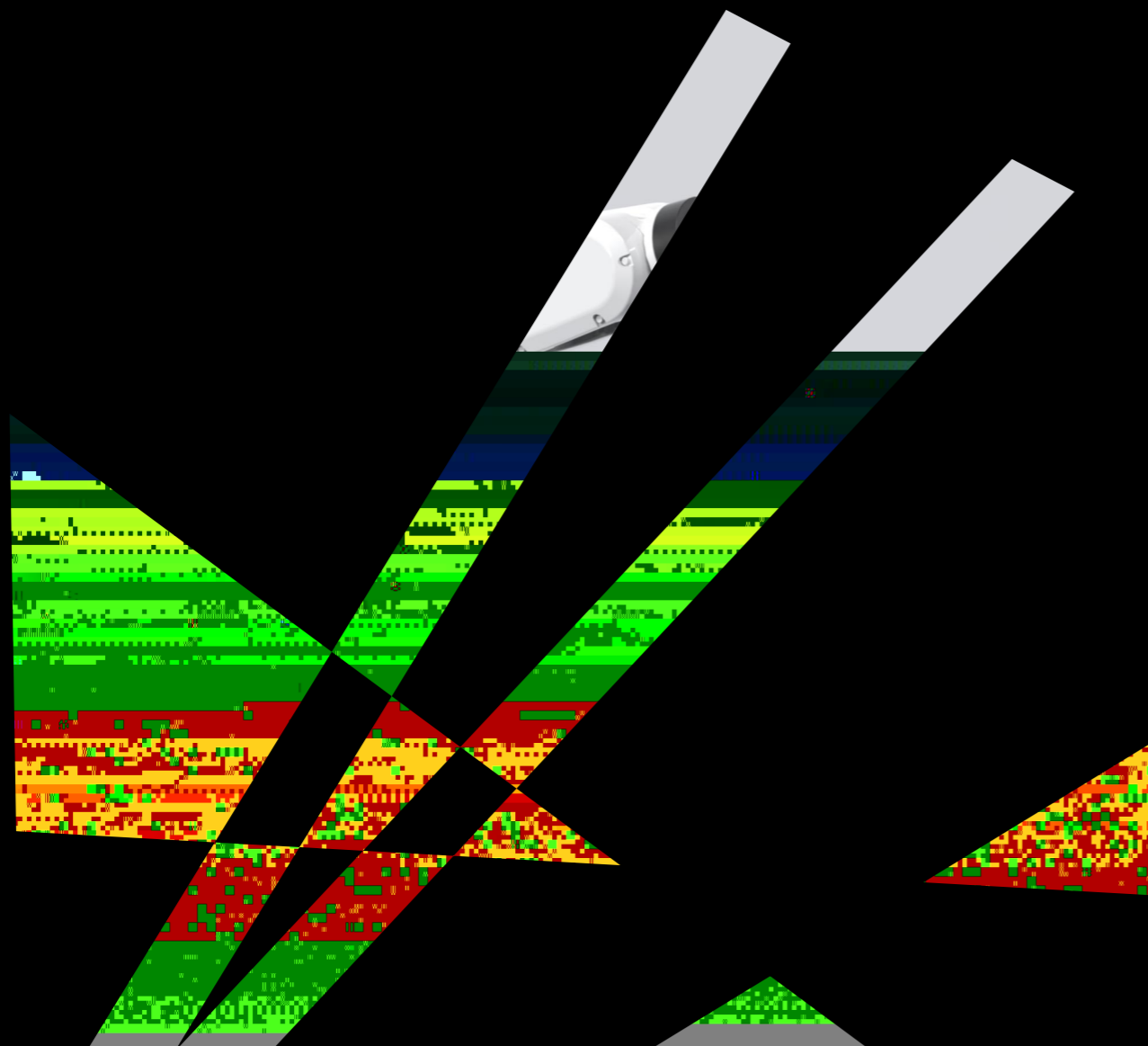


/BASE MOUNTING SIZE



/END FLANGE MOUNTING SIZE





		k m ²
		°/sec
		°/sec
		°/sec
J		°/sec
J		°/sec
J		°/sec
J		°/sec
J		± °
J		+ °/- °
J		+ °/- °
J		± °
J		± °
J		± °

FACE

SIZE

/END FLANGE MOUNTING SIZE